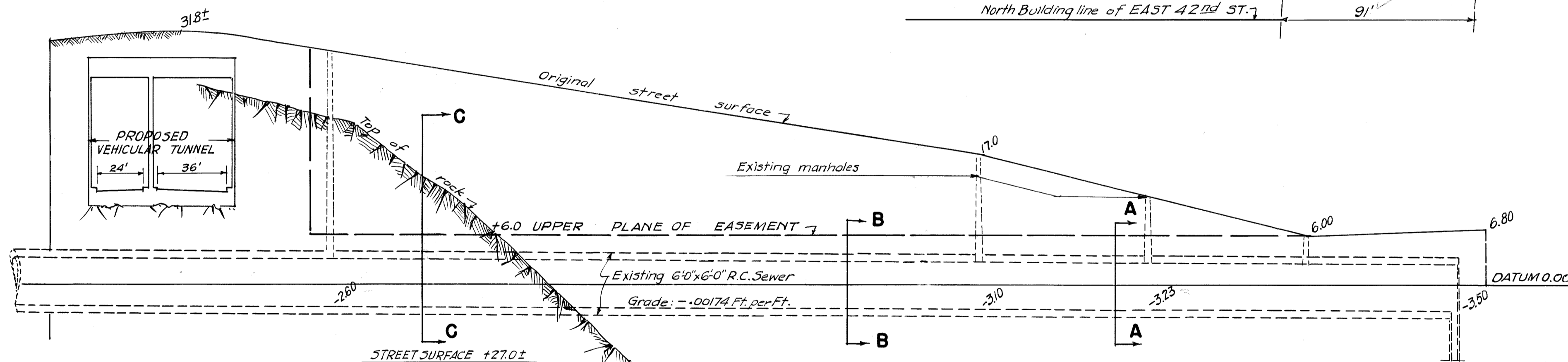
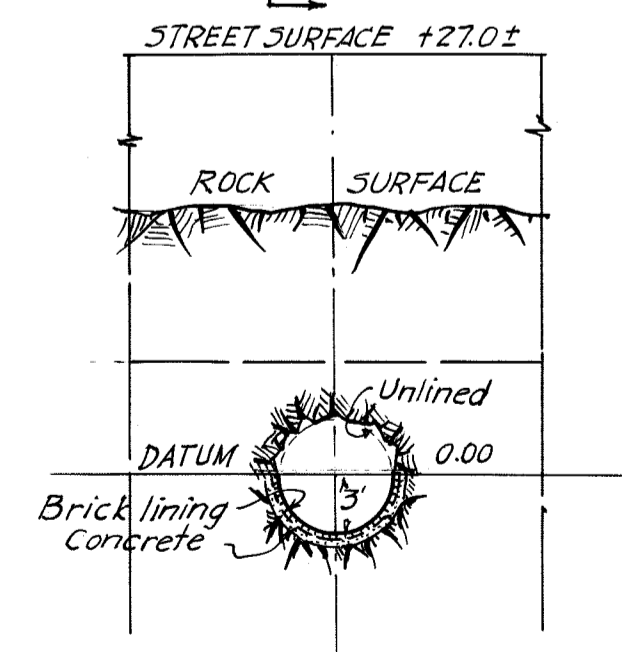


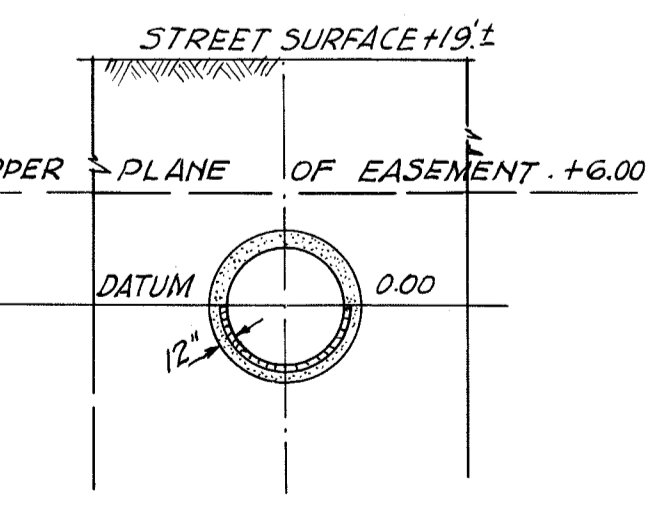
- PLAN -
SCALE: 1" = 40 FT.



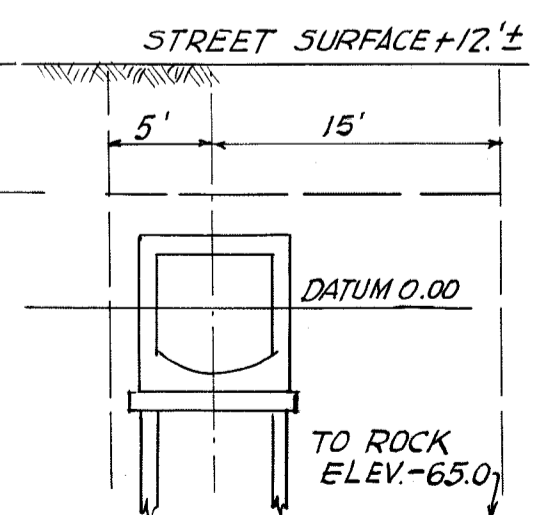
- PROFILE -
HOR. 1" = 40'
SCALE: VERT. 1" = 10'



SECTION C-C



SECTION B-B
SCALE: 1" = 10'



SECTION A-A

DRAWN BY L.F.D.
CHECKED BY H.J.R.

Henry J. Rover
SECTION ENGINEER
J.C. Collier
ENGINEER OF DESIGN

Drawer 17

EXHIBIT "A"
CITY OF NEW YORK
OFFICE OF THE PRESIDENT, BOROUGH OF MANHATTAN
DEPARTMENT OF BOROUGH WORKS

MAP OR PLAN
SHOWING THE PERMANENT AND PERPETUAL
EASEMENT FOR SEWER PURPOSES
RETAINED BY THE CITY OF NEW YORK,
THROUGH THE UNITED NATIONS
HEADQUARTERS SITE IN THE BED OF
FORMER EAST 46TH STREET.

DATED JUNE 24, 1947. SCALE: AS SHOWN

Hugo Rogers
PRESIDENT, BOROUGH OF MANHATTAN
Ray F. Jess
CHIEF ENGINEER OF DESIGN
Michael Klein
CHIEF ENGINEER.

28819